

BUTTERFLY VALVE

Robust and proven



The all stainless-steel Nicro Butterfly Valve was developed in South Africa when this type of product was otherwise unavailable. Rated 1600kPa, these valves are manufactured to comply with British standards BS5155 and API609

SS

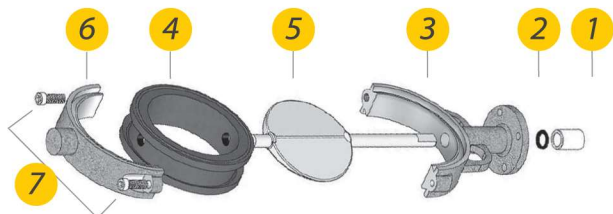
All Stainless steel materials, including the body. Wafer design, giving minimum obstruction to flow. Integral shaft and disc, therefore no crevices. Multiple O-rings moulded intergral with seals.

NICRO
INDUSTRIAL

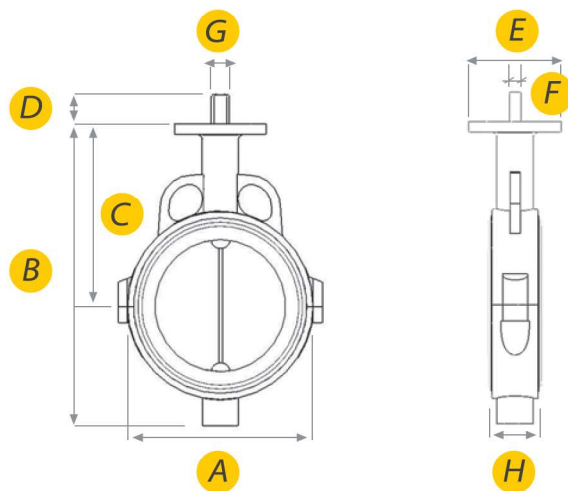
Design, Mechanical Engineering & Development Specialists

BUTTERFLY VALVE

Robust and proven



Major Dimensions



Item	Description	Value	Quantity / No	Part No
1	Bush		1	1202
2	O-ring		1	1203
3	Body		1	1204
4	Liner		1	1205
5	Disc-stem		1	1206
6	Cap		1	1207
7	Screw cap		2	1208

Advantages, Features & Applications

Advantages & Features

- Disc seal is good as a precision ball seal, as disc is a slice out of a sphere, thus giving:
 - > full concentric sealing
 - > lower torques
 - > longer seal life
 - > positive shut-off in closed position
- Disc and body can be manufactured in all grades of stainless steel, including:
 - > SANIRCO 28
 - > HASTELLOY
 depending on the client's requirements, and with all coatings
- Liners can be manufactured in a range of materials:
 - > Natural rubber
 - > Buna
 - > EPDM
 - > Nitrile
 - > Silicon
 - > Viton
- Valves operate with most standard actuators

Applications

- Dry bulk conveying
- Chemical Industry
- Food and Beverage
- Paper Mills
- Slurry handling

Valve Size	A	B	C	D	E	F	G Sq.	H
25	63	110	80	22	57	6,0	9,3	29
40	81	135	95	22	57	6,0	9,3	31
50	99	192	140	27	102	9,5	14,0	45
80	124	221	159	27	102	9,5	14,0	45
100	156	260	180	27	102	11,0	16,0	51
150	208	340	205	32	103	12,7	19,3	52

Note:

When ordering spares, specify the part number.

Item numbers are illustration reference only.

Nicro has a policy of continual research and development,

and reserves the right to change data without notice.

Manufactured in South Africa.

NICRO
INDUSTRIAL

Design, Mechanical Engineering & Development Specialists