

# HOT FEED GATE VALVE MKII

*Robust and proven*



*The Nicro Hot Feed Gate Valve developed to control charge under the arduous conditions encountered in submerged arc furnaces.*

FM

*Its manufactured in a ferrous material developed by Nicro to handle high temperatures*

SS

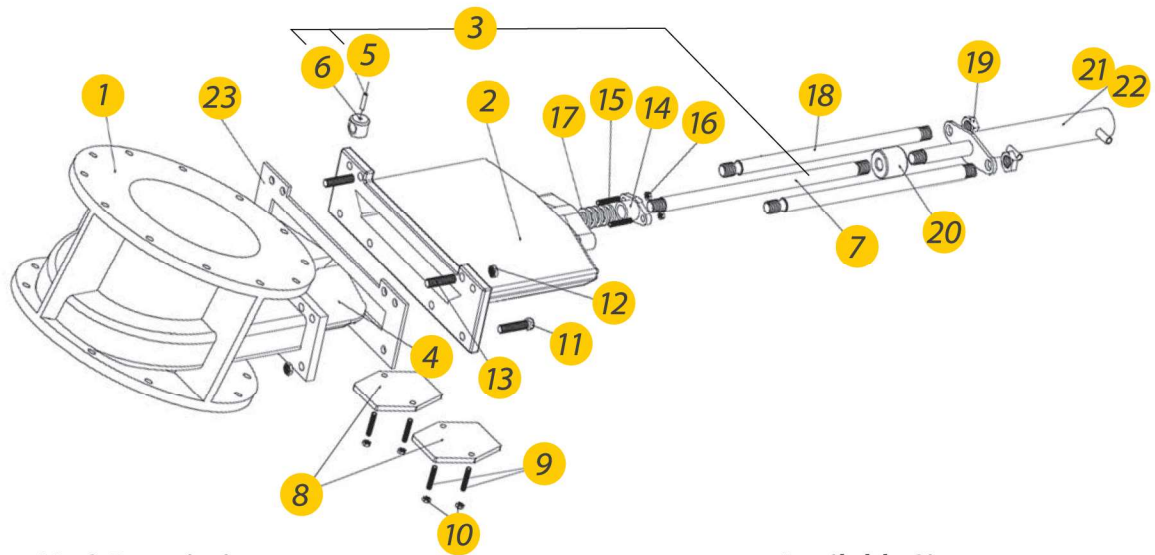
*Its also manucatured in a magnetic/austenitic stainless steel where eddy currents are a concern.*

**NICRO**  
INDUSTRIAL

*Design, Mechanical Engineering & Development Specialists*

# HOT FEED GATE VALVE MKII

*Robust and proven*



## Item No & Description

- 1 > Body
- 2 > Bonnet
- 3 > Shaft and boss
- 4 > Gate
- 5 > Pin
- 6 > Boss
- 7 > Shaft
- 8 > Dust Cover
- 9 > Stud
- 10 > Nut
- 11 > Bolts
- 12 > Nuts
- 13 > Studs
- 14 > Gland
- 15 > Gland studs
- 16 > Gland nuts
- 17 > Gland packing
- 18 > Pillars
- 19 > Nut pillars
- 20 > Coupling
- 21 > Hydraulic cylinder
- 22 > Air cylinder
- 23 > Gasket

## Available Sizes

- 150mm NB
- 200mm NB
- 250mm NB
- 300mm NB
- 350mm NB
- 400mm NB
- 500mm NB
- 550mm NB
- 630mm NB

### Note:

When ordering spares, specify the part number.

Item numbers are illustration reference only.

Nicro has a policy of continual research and development, and reserves the right to change data without notice.

Manufactured in South Africa.

**NICRO**  
INDUSTRIAL

Design, Mechanical Engineering & Development Specialists